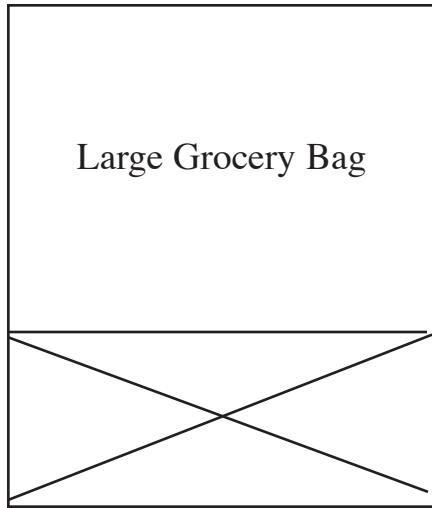


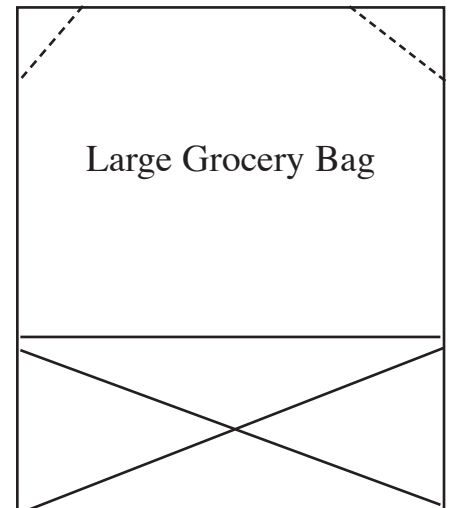
Ag's in the Bag



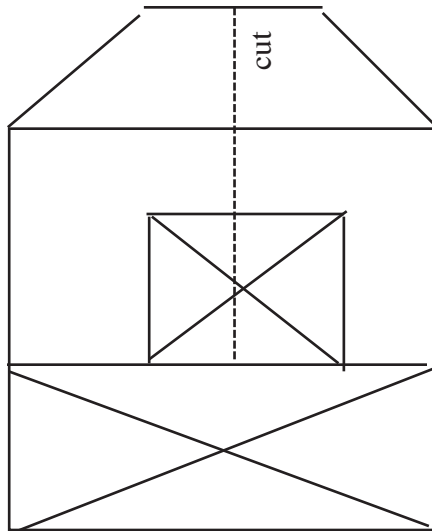
Large Grocery Bag

1. Staple the bottom of the unopened bag on all four corners

2. Cut off corners to make a roof shape.



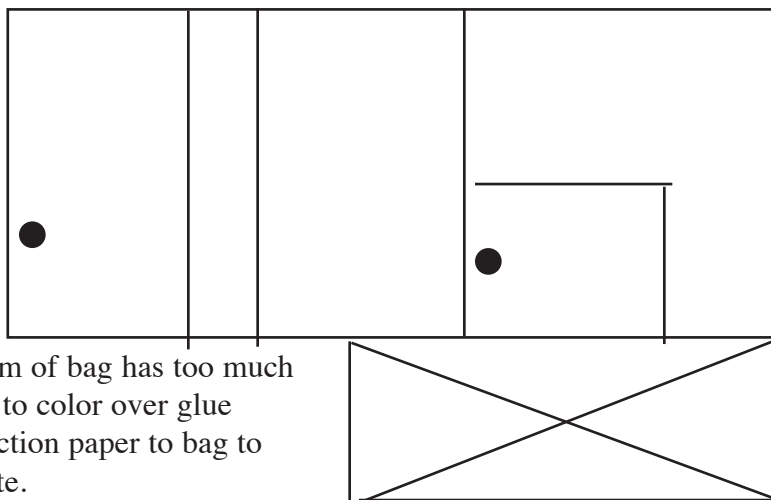
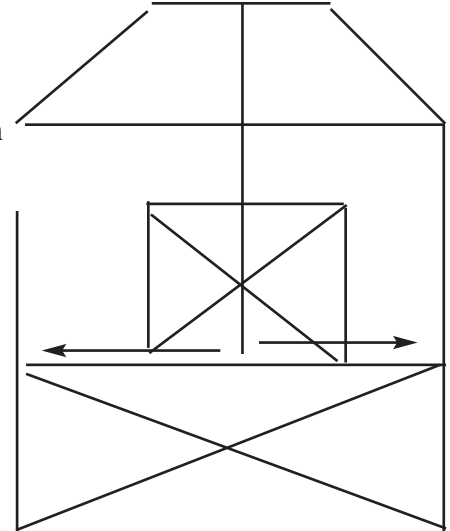
Large Grocery Bag



3. Draw and color a barn design.

4. Cut from top of bag down to stapled part ON THE TOP SIDE OF THE BAG ONLY.

5. Cut from center front to each side of the bag. Cut through side folds.



If bottom of bag has too much writing to color over glue construction paper to bag to complete.

6. Open bag to decorate or add pockets to hold small activities.

Fold will provide 1 shallow and 1 deep pocket to hold papers.

7. To close punch holes on each side of barn door. Reinforce holes and tie.